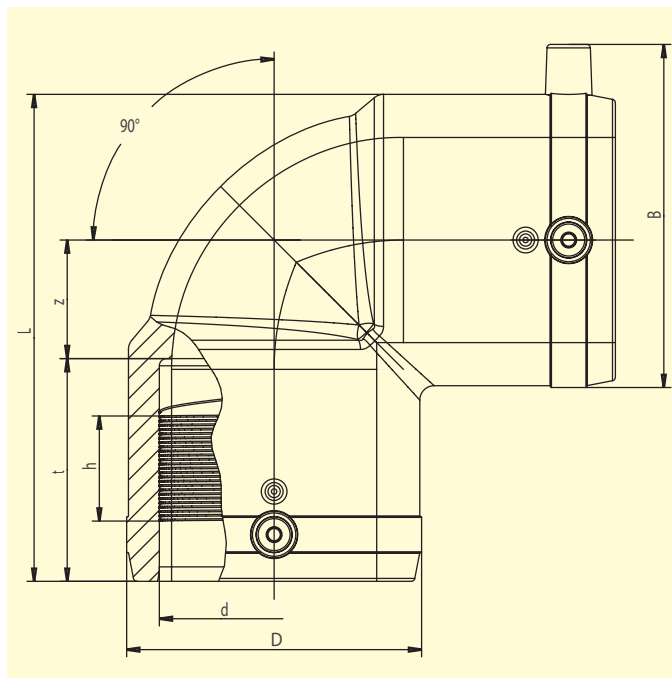


FRIALEN® Elbows 90° W90°



PE 100 SDR 11

Maximum working pressure 16 bar (water)/10 bar (gas)



d	Order Ref.	Stock-status	BX	PU	D	L	t	z	h	B	Weight kg/each
25	612091	1	60	1920	37	73	40	15	18.8	54	0,060
32	612093	1	45	1440	43	82	44	16	21.3	61	0,070
40	612095	1	25	800	53	96	48,5	20,5	29	70	0,110
50	612097	1	20	640	66	113	54,5	25,5	32	81	0,190
63	612099	1	8	256	83	136	62	33	30	96	0,340
75	612101	1	12	216	96	170	70	52,5	37	111	0,600
90	612103	1	6	108	115	202	75	65	45	128	0,950
110	612105	1	10	80	138	234	81	84	50	150	1,560
125	612107	1	8	64	157	254	87	89	43.5	167	2,030
160	615276	1	3	24	207	329	92	133	43.5	210	4,850
180	615689	1	3	24	228	354	94	146	64.5	229	5,760
200	616265	1	2	16	254	392	106	159	54	256	8,557
225	615690	1	1	8	280	430	113	177	66	281	10,220

FRIALEN-Safety Fittings can be fused to pipes of SDR stages 11 to 17.6
 DVGW-Registration Nos.: DV-8601AU2248 and DV-8606AU2249

Please turn over for important information regarding application of our products.



FRIALEN® Elbows 90° W90°

Areas of Application

The FRIALEN-Elbow W90° is used for all changes of direction in HDPE pipes.

Assembly Instructions

The fusion of the pipe ends with the FRIALEN-Elbows W90° takes place by FRIALEN-fusing – leakproof and longitudinally strong.

The pipe ends are prepared according to the general installation instructions (see “Assembly Instructions” for “FRIALEN-Safety Fittings for house connections and distribution pipes up to d 225”). This involves removing the oxide skin and cleaning the pipe ends.

Eleven good reasons for using the FRIALEN-Elbows W90°:

- Large coupler depth for ease of pipe guiding (no holding clamps required)
- Extra wide fusion zones
- Maximum stability through great wall thickness
- Cold zones at the front side and in the middle of the coupler
- Exposed heating coil for direct heat transmission to the pipe
- Small annular gap for build-up of optimum joining pressure in the fusion zone
- Contacts safe to touch
- Fusion indicator for visual fusion control
- Durable batch marking
- Individually wrapped for dirt protection
- Additional barcode for tracing back the fitting (Traceability-Coding)

For further information, please call our customer service staff and specialist advisers.

FRIATEC Aktiengesellschaft · Technical Plastics Division
 P.O.B. 71 02 61 · D-68222 Mannheim
 Telephone +49 621 486-1431 · Telefax +49 621 479196
 www.friatec.com · E-Mail: info-frialen@friatec.de

Please find our datasheets for downloading on the internet at www.friatec.com