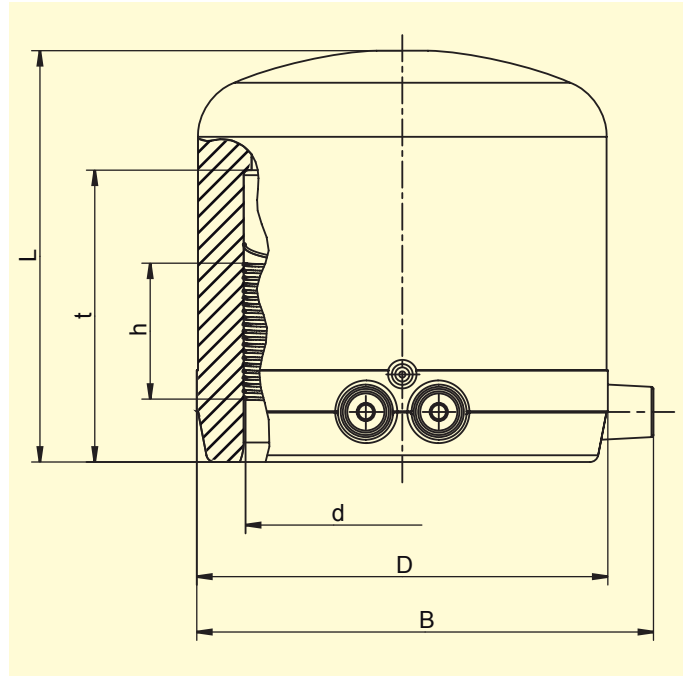


FRIALEN® End Caps MV



PE 100 SDR 11

Maximum working pressure 16 bar (water)/10 bar (gas)



d	Order Ref.	Stock-status	BX	PU	D	L	t	h	B	Weight kg/each
20	612025	2	40	2000	31	62	41	22	46	0,035
25	612026	2	40	2000	35	65	41	22	51	0,040
32	612027 ①	1	40	1280	44	70	44	24	61	0,060
40	612028 ①	1	25	800	55	75	49	28	70	0,090
50	612029	1	20	640	67	80	55	30	80	0,125
63	612030	1	15	480	84	88	63	31	96	0,210
75	612031	1	20	640	99	99	70	31	110	0,320
90	612032	1	16	288	118	114	79	40	130	0,500
110	612033	1	12	216	143	125	82	34	153	0,825
125	612034	1	8	144	163	135	87	42	168	1,160
160	612035	1	10	60	208	160	98	54	210	2,240
180	616183	1	6	48	225	195	100	50	225	2,800
200	616184	1	4	32	250	210	105	51	250	3,900
225	616185	1	4	32	280	230	115	50	280	5,050

FRIALEN safety fittings can be fused to pipes SDR11 - SDR 17.6, minimum wall thickness $s_{min} \geq 3$ mm. Other SDR-stages on request. Please observe the marking directly at the product, which is mandatory.
DVGW-Registration Nos. DV-8601AU2248 and DV-8606AU2249

① Also recommended as fused caps for the dome of FRIALEN-Pressure Tapping Tees DAA/DAP $\leq d63$.

FRIALEN® End Caps MV

Areas of Application

The FRIALEN-End Caps MV are used to close HDPE pipe ends.

Also recommended as fused caps (d32 and d40) for the dome of FRIALEN-Pressure Tapping Tees DAA and DAP up to d63.

Assembly Instructions

The fusion of a pipe end or the dome of a FRIALEN-Pressure Tapping Tee with the FRIALEN-End Cap MV takes place using FRIALEN-fusing – leakproof and longitudinally strong.

The fusion area is prepared according to the general installation instructions (see “Assembly Instructions” for “FRIALEN-Safety Fittings for house connections and distribution pipes up to d 225”). This involves removing the oxide skin and cleaning the pipe ends. Next to moulded fittings and accessories it is recommended to install a piece of pipe of 20 - 60 cm length, accordingly to the diameter, so that the pipeline can be continued later on.

Eleven good reasons for using the FRIALEN-End Caps MV:

- Large coupler depth for ease of pipe guiding (no holding clamps required)
- Extra wide fusion zones
- Maximum stability through great wall thickness
- Cold zones at the front side and in the middle of the coupler
- Exposed heating coil for direct heat transmission to the pipe
- Small annular gap for build-up of optimum joining pressure in the fusion zone
- Touch proof electric contacts
- Fusion indicator for visual fusion control
- Durable batch marking
- Individually wrapped for dirt protection
- Additional barcode for tracing back the fitting (Traceability-Coding)

For further information, please call our customer service staff and specialist advisers.

FRIATEC Aktiengesellschaft · Technical Plastics Division
 P.O.B. 71 02 61 · D-68222 Mannheim
 Telephone +49 621 486-1431 · Telefax +49 621 479196
 www.friatec.com · E-Mail: info-frialen@friatec.de

Please find our datasheets for downloading on the internet at www.friatec.com

