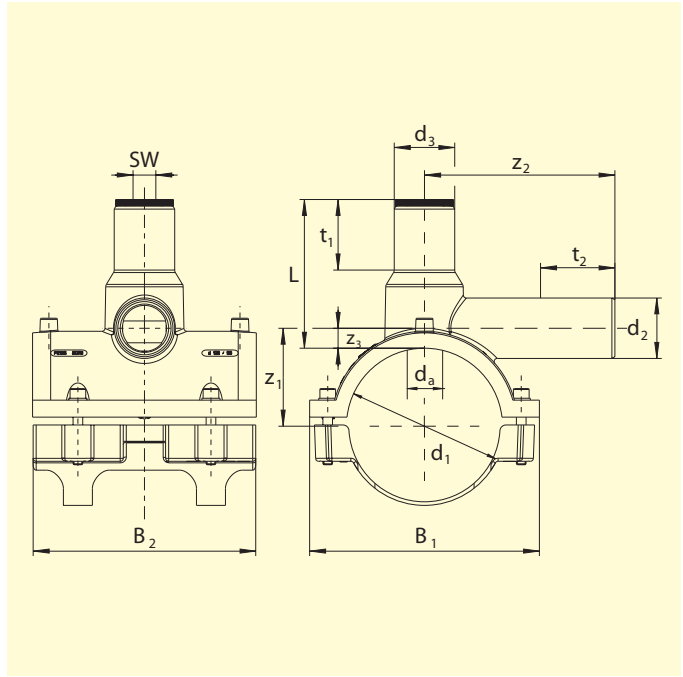


FRIALEN® Pressure Tapping Tees with extra long outlet spigot DAA



PE 100 SDR 11

Maximum working pressure 16 bar (water)/10 bar (gas)



d ₁	d ₂	Order Ref.	Stock-status	BX	PU	d ₃	L	t ₁	t ₂	z ₁	z ₂	z ₃	B ₁	B ₂	Drilling Ø d _a	Weight kg/each
40	20	612630	2	20	640	32	74	47	41	28	77	8	90	92	16	0,290
50	25	612702	2	20	360	40	98	50	72	40	107	15	85	95	21	0,450
50	32	615080	1	20	360	40	98	50	89	40	117	15	85	95	21	0,470
63	20	612631	1	16	288	40	98	50	64	47	97	15	98	105	21	0,500
63	25	612633	1	16	288	40	98	50	72	47	106	15	98	105	21	0,505
63	32	612632	1	16	288	40	98	50	85	47	117	15	98	105	21	0,515
63	40	612623	1	16	288	40	98	50	89	47	124	15	98	105	21	0,530
63	63	616334	1	20	160	50	127	59	112	58	160	27	98	154	30	1,060
75	40	612813	1	12	216	40	97	50	90	48	138	10	112	125	21	0,605
90	32	612634	1	12	96	50	125	59	84	61	126	16	145	150	30	1,040
90	50	612636	1	12	96	50	125	59	105	65	152	20	145	150	30	1,110
90	63	612701	1	12	96	50	125	59	118	65	175	20	145	150	30	1,230
110	32	612637	1	10	80	50	121	59	84	71	137	16	170	180	30	1,305
110	50	612638	1	10	80	50	121	59	105	71	162	16	170	180	30	1,375
110	63	612624	1	10	80	50	121	59	120	71	184	16	170	180	30	1,455
125	32	612649	1	10	80	50	122	59	94	79	145	16	190	185	30	1,510
125	50	612639	1	10	80	50	122	59	104	79	165	16	190	185	30	1,545
125	63	612309	1	10	80	50	122	59	116	79	180	16	190	185	30	1,615
140	50	615037	2	10	80	50	122	59	104	86	165	16	200	185	30	1,545
160	32	612641	1	6	48	50	165	59	82	110	126	30	225	200	30	1,765
160	50	612642	1	6	48	50	165	59	104	116	158	36	225	200	30	1,825
160	63	612650	1	6	48	50	165	59	117	117	176	37	225	200	30	1,900
180	32	612651	1	5	40	50	165	59	82	120	126	30	235	200	30	1,775
180	50	612644	1	5	40	50	165	59	104	126	158	36	235	200	30	1,835
180	63	612652	1	5	40	50	165	59	117	127	176	37	235	200	30	1,910
200	32	612654	1	5	40	50	165	59	82	130	126	30	260	220	30	1,830
200	50	612645	1	5	40	50	165	59	104	136	158	36	260	220	30	1,900
200	63	612659	1	5	40	50	165	59	112	137	176	37	260	220	30	1,950
225	32	612657	1	5	40	50	165	59	82	143	126	30	270	220	30	1,850
225	50	612646	1	5	40	50	165	59	104	149	158	36	270	220	30	1,920
225	63	612655	1	5	40	50	165	59	112	150	176	37	270	220	30	1,970

FRIALEN-Pressure Tapping Tees ≤ d 63 can be fused to pipes of SDR stage 11 and > d 63 to pipes of SDR stages 11 to 17.6.

Other SDR-stages on request. Please observe the marking directly at the product, which is mandatory.

DVGW-Registration Nos.: DV-8601AU2248 and DV-8606AU2249

Please turn over for important information regarding application of our products.



FRIALEN® Pressure Tapping Tees with extra long outlet spigot DAA

Areas of Application

The FRIALEN-Pressure Tapping Tees are used for branches of unpressurised and pressurised pipelines.

Assembly Instructions

The fusion of the HDPE distribution pipes and the house connections with FRIALEN-Pressure Tapping Tees takes place by FRIALEN-fusing –leakproof and longitudinally strong.

The saddle and the outlet spigot have to be prepared according to the general installation instructions (see “Assembly Instructions” for “FRIALEN-Safety Fittings for house connections and distribution pipes up to d 225”). This involves removing the oxide skin and cleaning the pipe covered by the saddle.

DVGW-Registration Nos.:
DV-8601AU2248 and DV-8606AU2249

Fifteen good reasons for using the FRIALEN-DAA:

- **Compact construction**
- **Installation without rounding clamp and special tools**
- **Preassembled unit without loose parts**
- **Leakage check possible before tapping**
- **Swarfless tapping**
- **Leakage free tapping of gas pipe up to 10 bar working pressure**
- **Little force required for tapping**
- **Punched-out pipe piece fits securely in drill**
- **Drill guided in metal sleeve**
- **Drill with upper and lower stop**
- **Extra wide fusion zone**
- **Dome can be fused with cap after tapping**
- **Length of outlet spigot dimensioned for two fusion operations**
- **Installation using elastic clamp for optimum build-up of molten mass pressure during fusion**
- **Additional barcode for tracing back the fitting (Traceability-Coding)**

For further information, please call our customer service staff and specialist advisers.

FRIATEC Aktiengesellschaft · Technical Plastics Division
P.O.B. 71 02 61 · D-68222 Mannheim
Telephone +49 621 486-1431 · Telefax +49 621 479196
www.friatec.com · E-Mail: info-frialen@friatec.de

Please find our datasheets for downloading on the internet at www.friatec.com