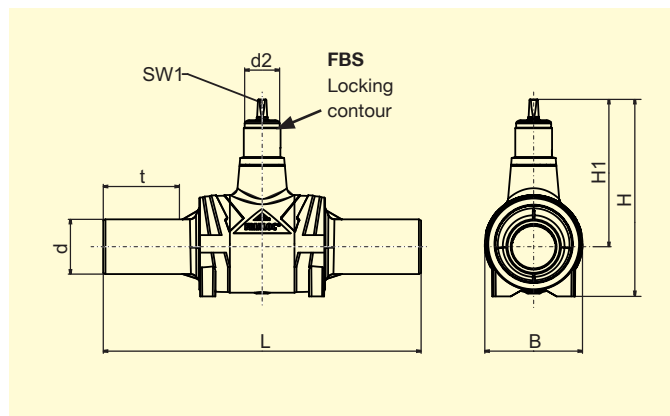


FRIALOC® Shut-Off Valve with shut-off mechanism suitable for plastics



PE 100 SDR 11
Maximum working pressure 16 bar (water)

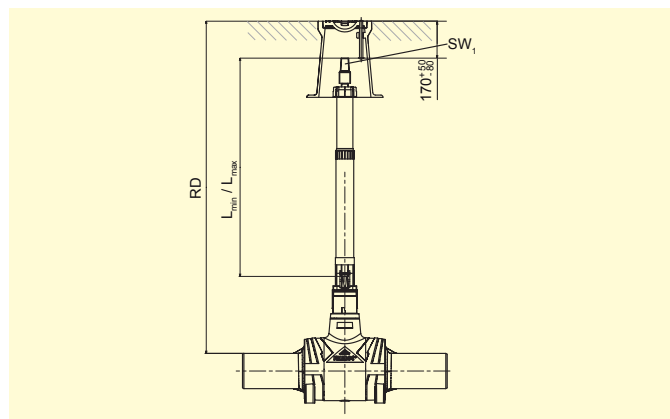
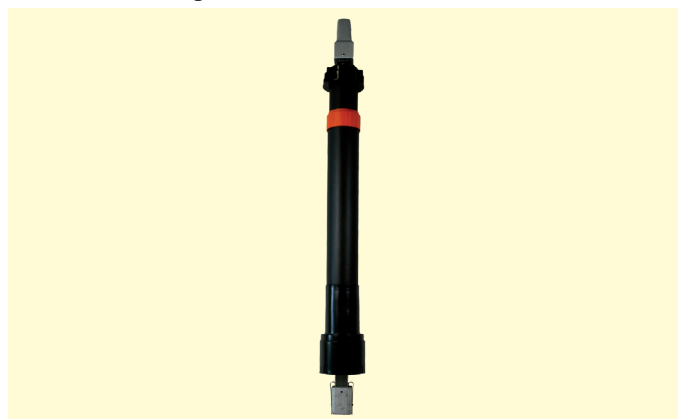


d	d ₂	Order Ref.	Stock-status	BX	PU	L	t	B	H ₁	H	SW ₁	Turns Open/close	Weight kg/each.
90	80	616293	1	1	8	720	158	225	335	450	19	9	13,900
110	80	616294	1	1	8	720	164	225	335	450	19	9	14,200
125	80	616295	1	1	8	720	174	225	335	450	19	9	14,500
160	80	616296	1	1	2	1.010	196	330	450	608	19	14	37,900
180	80	616297	1	1	2	1.030	210	330	450	608	19	14	39,000
NEW! 200	80	616453 ⓪	2	1	2	1.030	120	330	450	608	19	14	44,000
225	80	616298 ⓪	1	1	2	1.030	124	330	450	608	19	14	45,500
NEW! 250	80	616438 ⓪	2	1	2	1.030	132	330	450	608	19	14	46,000

Registered by DVGW under registration no. DW-6210BT0171. Please observe the marking directly at the product, which is mandatory.

⓪ limited passage corresponds to dim. d 180

FRIALEN® Installation kits FBS for FRIALOC® PE shut-off valves with KlickFix® system



bars of hot zinc dipped steel

RD in m	Order Ref.	Stock-status	BX	PU	L _{min}	L _{max}	SW ₁	Weight kg/each
0,75 - 1,0	616308	2	1	42	397	571	30	2,500
0,9 - 1,3	616309	1	1	42	552	881	30	2,950
1,2 - 1,8	616310	1	1	42	817	1441	30	3,850
1,5 - 2,3	616318	2	1	42	1035	1847	30	4,400

bars of stainless steel

RD in m	Order Ref.	Stock-status	BX	PU	L _{min}	L _{max}	SW ₁	Weight kg/each
0,75 - 1,0	616315	2	1	42	397	571	30	2,400
0,9 - 1,3	616316	1	1	42	552	881	30	2,800
1,2 - 1,8	616317	1	1	42	817	1441	30	3,450
1,5 - 2,3	616319	2	1	42	1035	1847	30	4,150
2,4 - 3,5	616326	2	1	1	1875	3460	30	6,350

Please note: For FRIALOC from d 160 RD -0,1 m.
Other length on request.

Please turn over for important information regarding application of our products.



FRIALOC® Shut-Off Valve with shut-off mechanism suitable for plastics

Range of use / application

FRIALOC is used as shut-off valve in water piping systems. The free passage of the PE shut-off valve shows no constrictions with regard to the connecting pipe SDR 11. Actuation is made from the street cap using the installation kit FBS. Squared shaft end width across flats 19. Thanks to the innovative shut-off mechanism, activation is possible with only a few turns and without major force.

Notes on processing

The FRIALOC shut-off valve is homogeneously connected to the PE piping by FRIALEN fusion using FRIALEN safety fittings. This requires no gaskets, material transitions, or mechanical connections. The homogeneous joint is permanently leak-tight and friction-locked. Corrosion protection is not required. The shut-off valve can also be integrated into existing piping networks made of other materials, e.g. using flanges.

Please observe the notes on the installation of the FRIALOC shut-off valve in the FRIALEN assembly instructions for house service and supply pipings up to d 225.

Many good reasons for FRIALOC:

- **FRIALOC facilitates the completely fused and homogeneous PE piping without flanges and material transitions**
- **Typically PE: no corrosion, no incrustation**
- **Innovative two-flap mechanism for a reliable shut-off under all operating conditions**

FRIALEN® Installation kits FBS Coupling sleeve with KlickFix® system

Optimally matched, telescopic activation bar to operate the FRIALOC PE shut-off valve from the street cap.

Assembly instructions

Before fusion, the FRIALOC PE shut-off valve must be aligned corresponding to the planned actuation to guarantee a correct positioning of the FRIALEN installation kit (FBS).

Ten good reasons for the installation kit FBS for FRIALOC PE shut-off valves:

- **easy and safe installation thanks to KlickFix® system**
- **protective pipe of polyethylene protects from intrusion of sand or soil**

For further information, please call our customer service staff and specialist advisers.

FRIATEC Aktiengesellschaft · Technical Plastics Division
P.O.B. 71 02 61 · D-68222 Mannheim
Telephone +49 621 486-1431 · Telefax +49 621 479196
www.friatec.com · E-Mail: info-frialeen@friatec.de

- **Low-wear drive: proven in fatigue test by 2,500 dynamic test cycles under maximum pressure**
- **Hygiene: no stagnating water, minimised sealing area**
- **Corrosion-resistant metal materials**
- **Low actuation forces, smooth-running even given under full differential pressure**
- **Optimal hydraulics thanks to a full-port passage, no constrictions (until d180)**
- **Few turns for opening/closing**
- **Significant weight saving compared to metal valves**
- **Stable support in the ditch bottom thanks to large support area**
- **Length of connecting couplers d90-d180 designed for two fusion processes, can be reduced for compact shape**
- **Special contour for a pull-tight and dirt-proof connection to the protective pipe of the FRIALEN-FBS**
- **Each single shut-off valve is inspected by the factory after mounting**
- **Production data are saved, archived, and can be documented via a traceability barcode**

- **pull tight connection between FRIALOC and protective pipe: solid and dirt-proof**
- **assembly without tools**
- **self-supporting in all telescopic positions**
- **safe from being pulled out**
- **corrosion-resistant**
- **telescopic installation kit can also be adjusted even once in place and filled**
- **constructive harmonizing of the transferable torque onto the FRIALOC PE shut-off valve**
- **connexion pins made of stainless steel**

Please find our datasheets for downloading on the internet at www.friatec.com



an *Oliaxis* company